

PRICE[®]

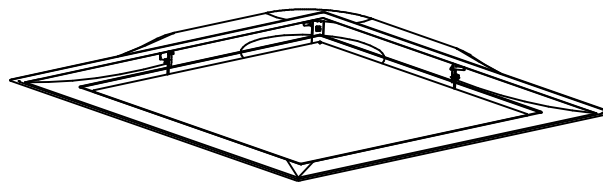
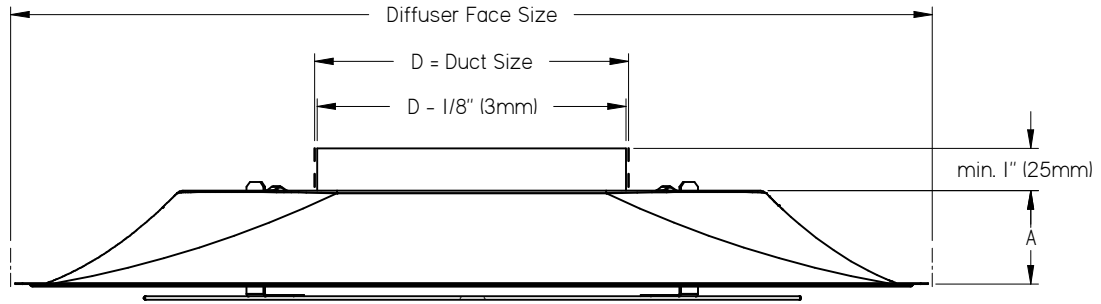
SUBMITTAL DRAWING



TMS JOHNSON
Trusted Partner • Reliable Solutions

TMS Johnson, Inc. | 763-544-5442 | www.tmsj.com
Twin Cities: 2908 Nevada Ave N, New Hope, MN 55427
Rochester: 3270 19th St NW, Suite 210, Rochester, MN 55901

SPD, ASPD Square Plaque Diffuser



STANDARD CONSTRUCTION:

- SPD - Steel construction
- ASPD - Aluminum construction

OPTIONS:

- R6 - Insulated Backpan (style 31 or 4TS N/A with 20"x20" or 500mm x 500mm)
- AFI - 1/2" fiberglass with foil / scrim vapor barrier insulated backpan (style 31, 20"x20" or 500mm x 500mm only)
- BN - Beaded Inlet Neck with extended depth 2 1/2" (64mm). Not available on ASPD.
- MRI - aluminum construction. Available for ASPD 24"x24" & 600mm x 600mm, styles 31 & 17 only. Not available with dampers or air baffles.

DAMPERS:

- VCR7 - Radial opposed blade steel damper (N/A with 4", 5", or 7" inlets)
- VCR8 - Full flow duct mounted steel damper
- VCR8E - Full flow diffuser mounted steel damper
- VCR9 - Radial diffuser mounted steel damper (N/A with 4", 5", 7", or 15" inlets)

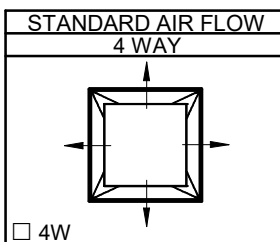
FINISH:

- B12 White (Optional Finishes Available)

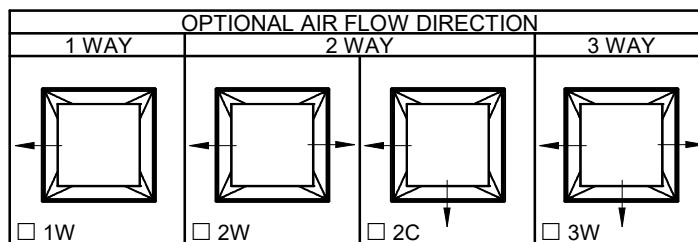
Diffuser Face Size	Ceiling Opening	A	Duct Size											
			4"	5"	6"	7"	8"	10"	12"	14"	15"			
12" x 12"	10 1/2" x 10 1/2"	1 1/8"	●	●	●	●	●							
20" x 20"	18" x 18"	2 1/2"			●		●	●						
24" x 24"	22" x 22"	2 1/2"			●		●	●	●	●	●	●	●	●
300mm x 300mm	249mm x 249mm	29mm	●	●	●	●	●							
500mm x 500mm	449mm x 449mm	64mm			●		●	●						
600mm x 600mm	549mm x 549mm	64mm			●		●	●	●	●	●	●	●	●

● indicates available inlet size

AIR PATTERN:



with AB air baffles (steel):



ALL METRIC DIMENSIONS () ARE SOFT CONVERTED. IMPERIAL DIMENSIONS ARE CONVERTED TO METRIC AND ROUNDED TO THE NEAREST MILLIMETER.

PROJECT:

ENGINEER:

CUSTOMER:

SUBMITTAL DATE:

SPEC. SYMBOL:

PRICE

MG

218786

2020-03-02

**SPD / ASPD
SQUARE PLAQUE
DIFFUSER**

SPD, ASPD Square Plaque Diffuser

Lay-in & Surface Mount Frames:

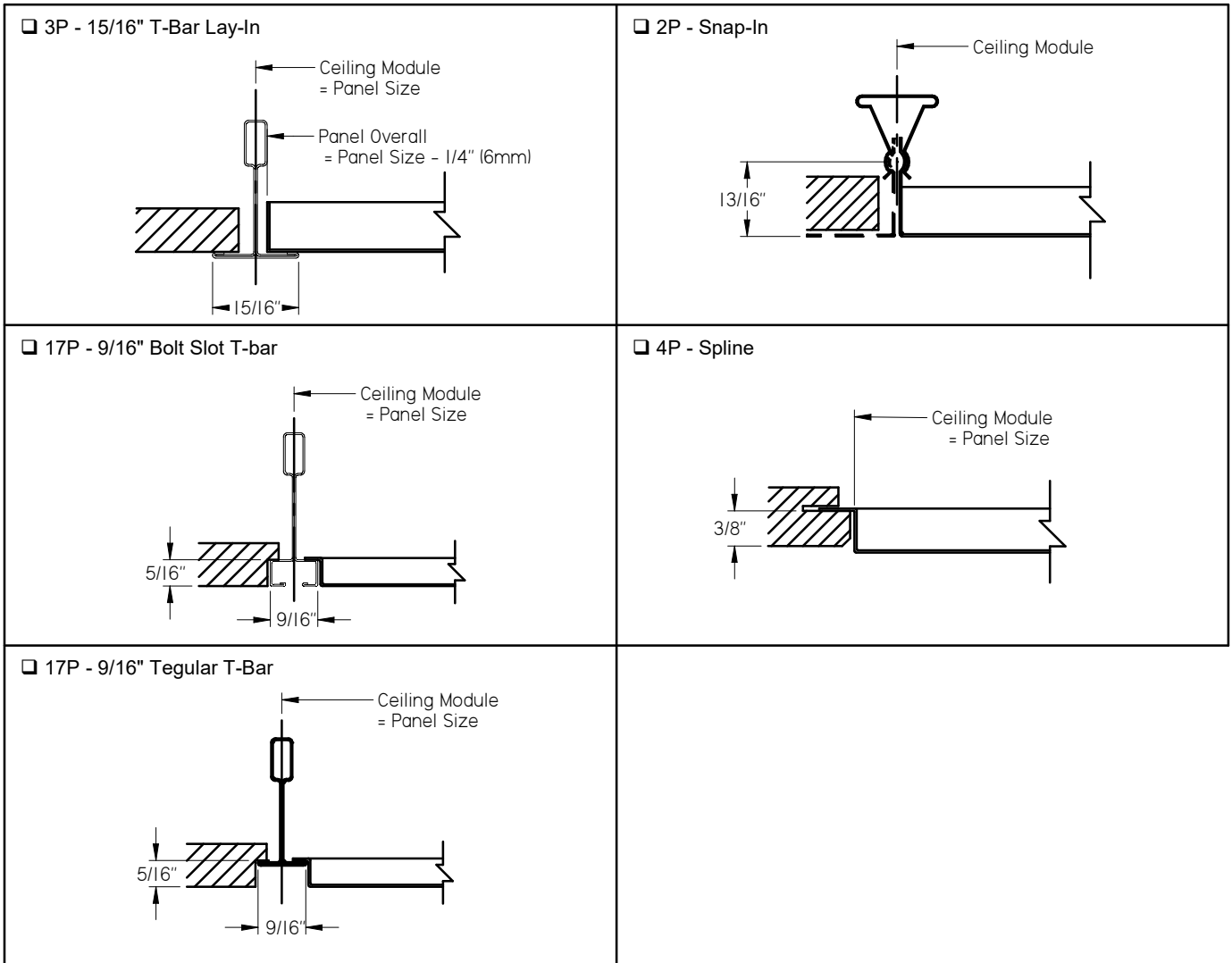
<p>☐ 31 - 15/16" T-Bar Lay-In</p> <p>Ceiling Module = Diffuser Face Size Overall = Face Size - 1/4" (6mm) 15/16"</p>	<p>☐ 31 - Surface Mount</p> <p>Ceiling Opening Diffuser Face Size - 1/4" (6mm)</p>
<p>☐ 17 - 9/16" Bolt Slot T-bar</p> <p>Ceiling Module = Diffuser Face Size 5/16" 9/16"</p>	<p>☐ 17 - 9/16" Tegular T-Bar</p> <p>Ceiling Module = Diffuser Face Size 5/16" 9/16"</p>
<p>☐ 4TS Clip-On Recessed Spline (24"x24" only)</p> <p>Ceiling Module = Diffuser Face Size 1 1/8" 1/4"</p>	<p>☐ 4 - Spline</p> <p>Ceiling Module = Diffuser Face Size 3/8" Spline on two opposite sides only</p>
<p>☐ 2 - Snap-In</p> <p>Ceiling Module = Diffuser Face Size 13/16"</p>	<p>☐ AM - for ARMSTRONG METALWORKS Torsion Spring Ceilings (24"x24" only)</p> <p>Ceiling Module = Diffuser Face Size 1 1/2" Overall = Face Size - 1/8" (3mm)</p>

ALL METRIC DIMENSIONS () ARE SOFT CONVERTED. IMPERIAL DIMENSIONS ARE CONVERTED TO METRIC AND ROUNDED TO THE NEAREST MILLIMETER.

PROJECT:		<p>PRICE</p>
ENGINEER:		
CUSTOMER:		<p><i>MG</i> 218786</p>
SUBMITTAL DATE:	SPEC. SYMBOL:	<p>2020-03-02</p>

SPD, ASPD Square Plaque Diffuser

Lay-in Panels: Available in SPD only





NOTES:

- For 9/16" flat tee installation use style 31 with adaptor clips from ceiling supplier, or order 916 corner clip separately.
- 20" x 20" & 500mm x 500mm available in style 31 only
- ASPD available with style 31 and 17 only
- Dampers and air baffles ship loose
- Factory tolerance ± 1/32" (1mm)

PANEL SIZE:

- | | |
|--|---|
| <p>12" x 12" face size:</p> <ul style="list-style-type: none"> <input type="checkbox"/> 24" x 12" panel <input type="checkbox"/> 16" x 16" panel <input type="checkbox"/> 20" x 20" panel <input type="checkbox"/> 24" x 24" panel <input type="checkbox"/> 48" x 12" panel | <p>300mm x 300mm face size:</p> <ul style="list-style-type: none"> <input type="checkbox"/> 600mm x 300mm panel <input type="checkbox"/> 400mm x 400mm panel <input type="checkbox"/> 500mm x 500mm panel <input type="checkbox"/> 600mm x 600mm panel <input type="checkbox"/> 1200mm x 300mm panel |
| <p>24" x 24" face size:</p> <ul style="list-style-type: none"> <input type="checkbox"/> 30" x 30" panel <input type="checkbox"/> 48" x 24" panel | <p>600mm x 600mm face size:</p> <ul style="list-style-type: none"> <input type="checkbox"/> 750mm x 750mm panel <input type="checkbox"/> 1200mm x 750mm panel |

ALL METRIC DIMENSIONS () ARE SOFT CONVERTED. IMPERIAL DIMENSIONS ARE CONVERTED TO METRIC AND ROUNDED TO THE NEAREST MILLIMETER.

PROJECT:		 SPD / ASPD SQUARE PLAQUE DIFFUSER
ENGINEER:		
CUSTOMER:		
SUBMITTAL DATE:		
SPEC. SYMBOL:		 218786
		2020-03-02

Solid Edge